

# PFR96X



**SCHWEIZ**  
Rolf Muri AG  
Einsiedlerstrasse 533  
CH-8810 Horgen

Telefon: 044/727 99 00

E-Mail : office@rolfmuri.ch

[www.elcontrol-energy.net](http://www.elcontrol-energy.net)

© Elcontrol Energy Net Srl

**Elcontrol**<sup>®</sup>  
energy net

www.elcontrol-energy.net  
January 2024



PFR96X

# PRODUCT OVERVIEW

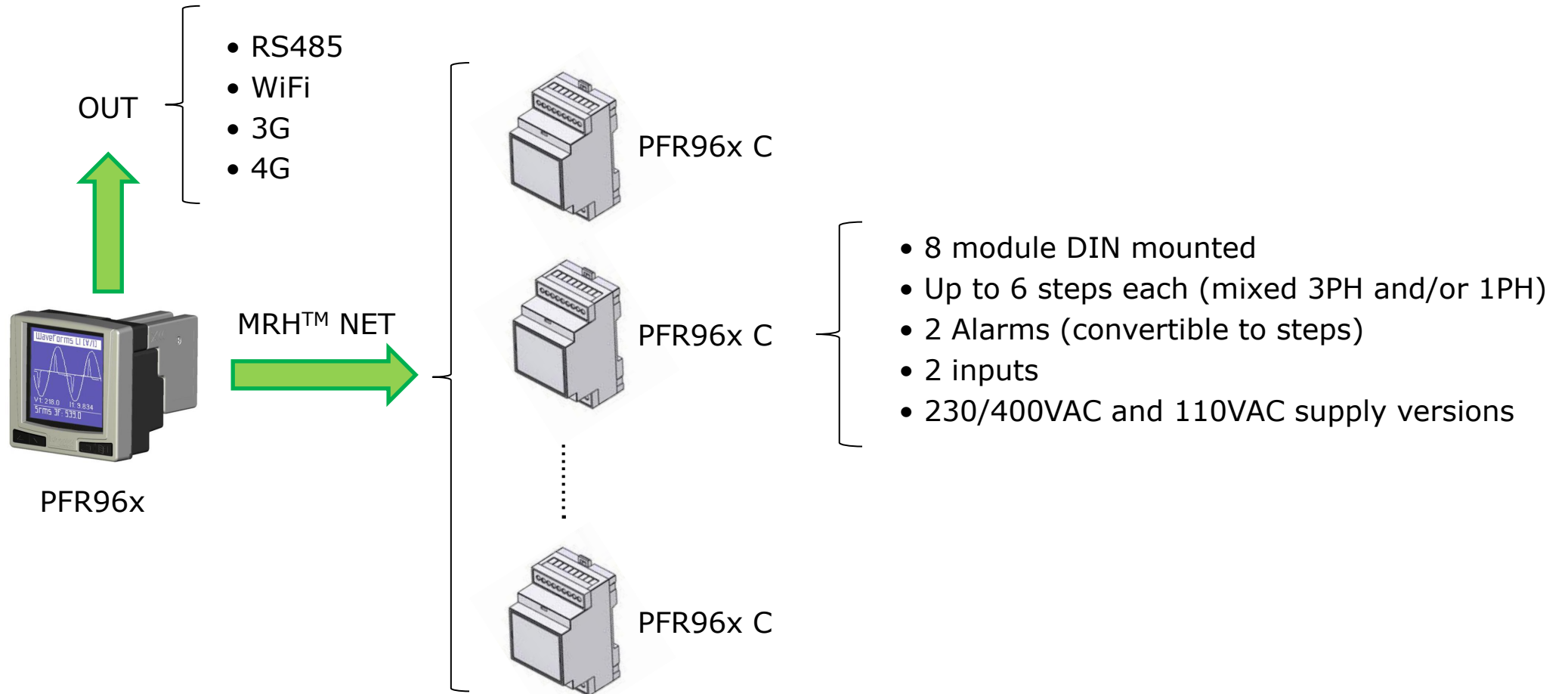


# PFR96x main features

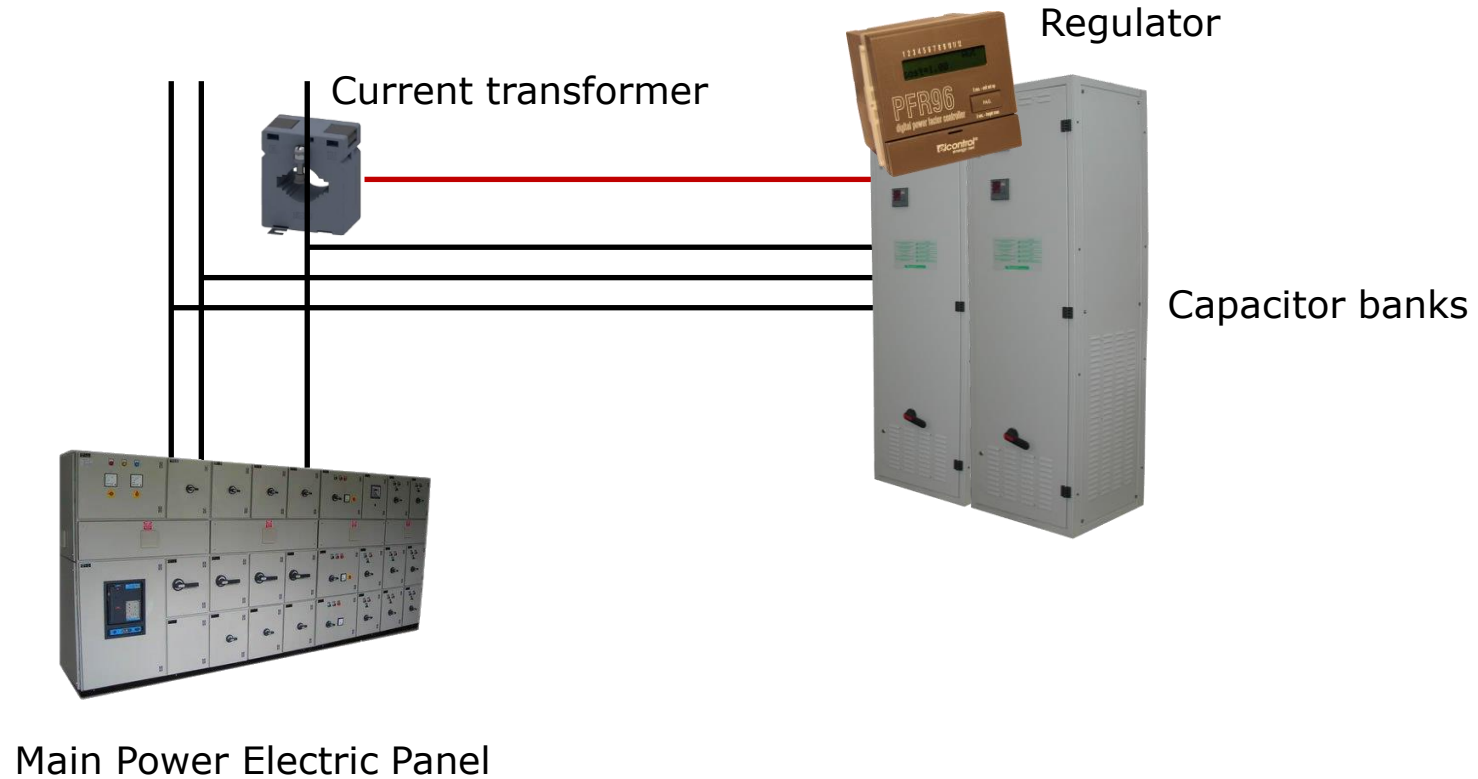
- Installable in most convenient place; not necessarily on PFC panel
- Control spread via MRH **wireless network**
- **Three and single phase regulation** (mixable)
- **Capacitive** and **inductive** banks (mixable)
- Capacitor line measurements (overload & health)
- Splits giant PFC systems in smaller splitted ones
- Embedded cloud connectivity
- It **simplifies existing PFC systems revamp or extension**
- Theoretically **unlimited number of steps**
- Customizable alarms and inputs
- Multiple regulation strategies



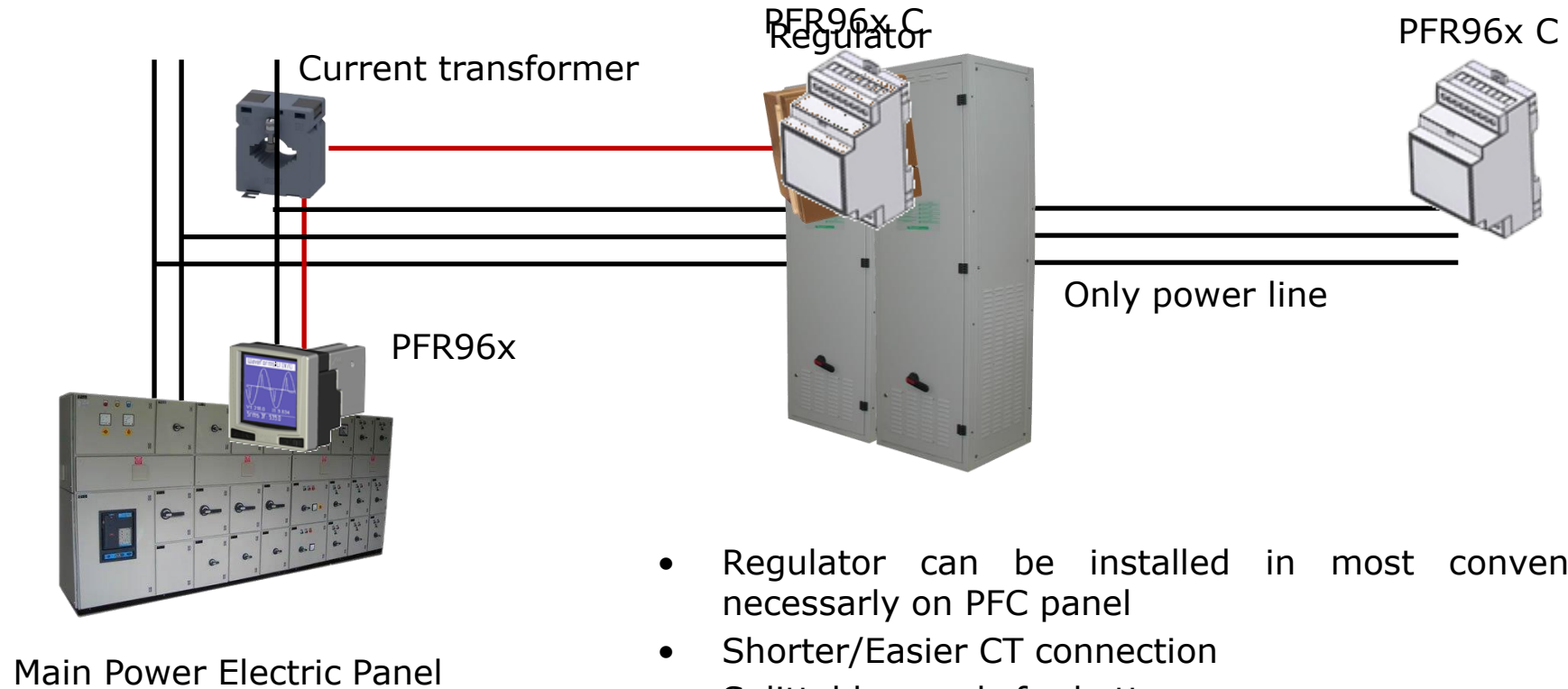
# PFR96x structure overview



# PFC typical new installation



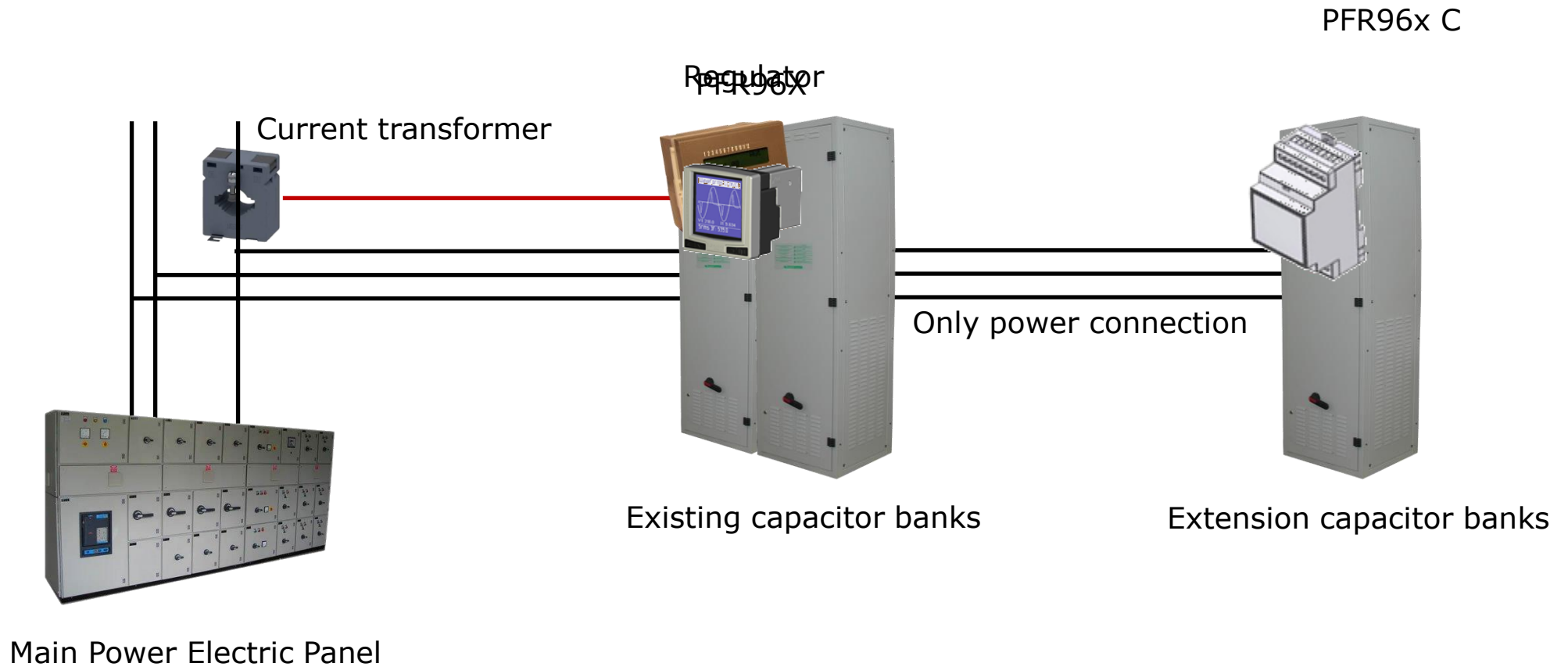
# PFC new installation with PFR96x



- Regulator can be installed in most convenient place; not necessarily on PFC panel
- Shorter/Easier CT connection
- Splittable panels for better space usage
- Only connection to power required



# PFC existing installation extension



# **elcontrol**<sup>®</sup> *energy net*

**SCHWEIZ**

Rolf Muri AG  
Einsiedlerstrasse 533  
CH-8810 Horgen

Telefon: 044/727 99 00

E-Mail : [office@rolfmuri.ch](mailto:office@rolfmuri.ch)

Elcontrol Energy Net Srl  
Via dell'Industria 32  
40043 – Marzabotto  
Bologna- Italy

[www.elcontrol-energy.net](http://www.elcontrol-energy.net)



© **Elcontrol Energy Net Srl**

**elcontrol**<sup>®</sup>  
*energy net*

[www.elcontrol-energy.net](http://www.elcontrol-energy.net)  
January 2024