



- Stroke 2300 mm
- Glass fiber reinforced nylon housing
- Coated poliamide stainless steel wire
- Compact and rugged



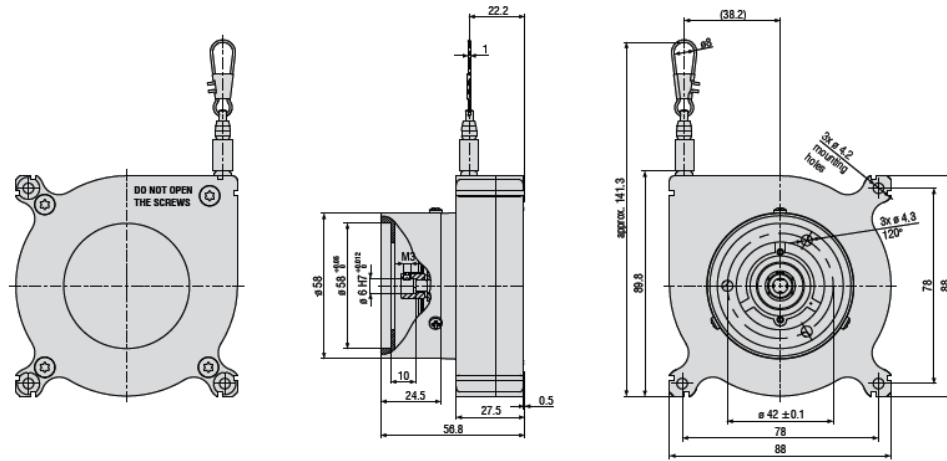
Encoder WPS

Series WPS



	WPS 2300
Draw wire mechanics	MK88-M
Stroke	2300 mm
Weight	0.5 Kg
Travel per encoder revolution	238.80 ±0.3 mm
Materials: housing	aluminium
draw wire	Coated poliamide stainless steel
Wire diameter	0.45 mm
Wire acceleration	5 g
Wire retraction force (min.)	3 N
Wire extension force (max)	9 N
Mechanical shock (10 ms)	50 G 10 ms
Vibration (20÷2000 Hz)	20 g 20 Hz 2KHz
Operating temperature	-40 ÷ +85°C
Stocking temperature	-40 ÷ +85°C

Mechanics WPS MK88-M



Series WDS



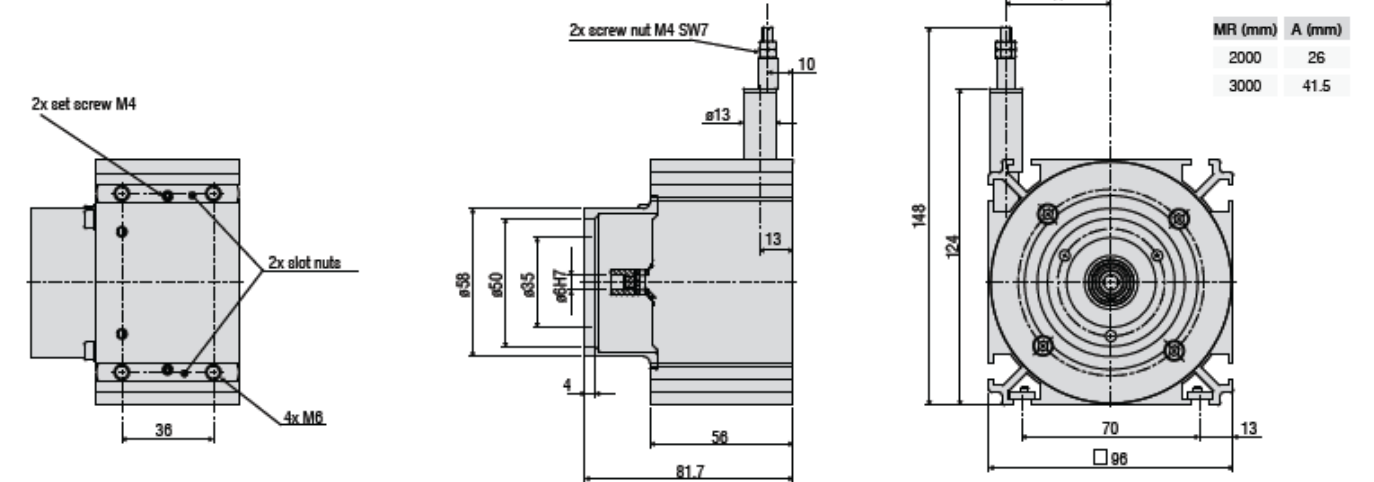
- Strokes: 3000 to 15000 mm
- Aluminium housing
- Coated poliamide stainless steel wire
- Two sizes available



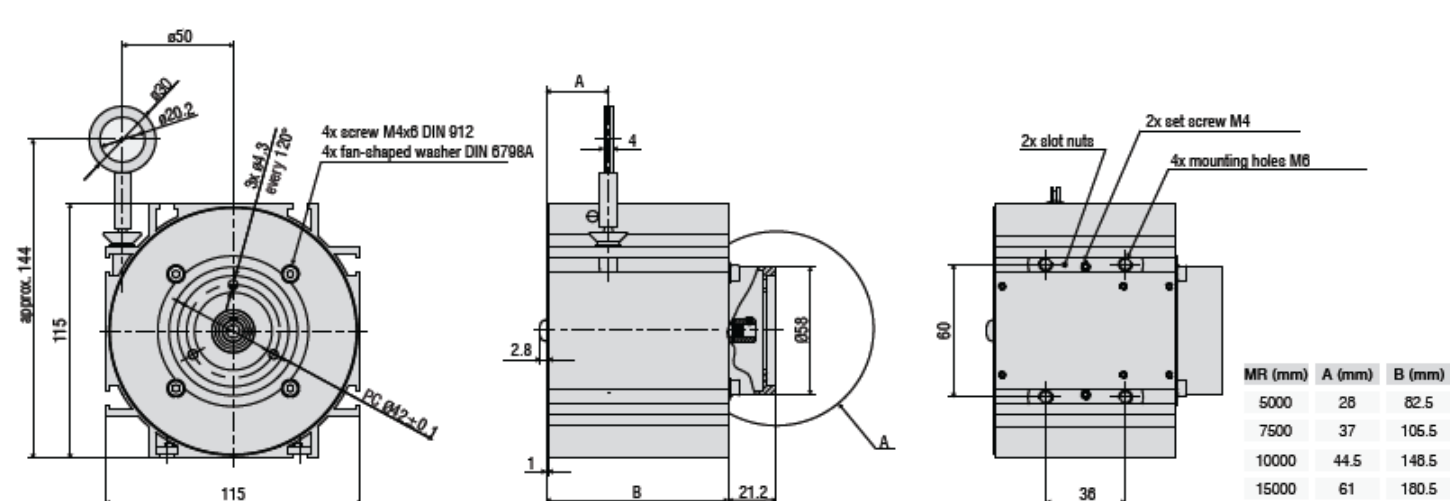
Encoder WDS

	WDS 3000	WDS 5000	WDS 7500	WDS 10000	WDS 15000
Draw wire mechanics	P96-M	P115-M	P115-M	P115-M	P115-M
Stroke	3000 mm	5000 mm	7500 mm	10000 mm	15000 mm
Weight	1.1 Kg.	1.4 Kg.	1.9 Kg.	2.8 Kg.	3.2 Kg.
Travel per encoder revolution	260.09 mm	315.07 mm			
Materials: housing	aluminium				
draw wire	Coated poliamide stainless steel				
Wire diameter	0.8 mm	1 mm			
Wire acceleration	7 g	5 g	6 g	3 g	3 g
Wire retraction force (min.)	5 N	4 N	8 N	8 N	8 N
Wire extension force (max)	10 N	16 N	24 N	21 N	25 N
Mechanical shock (10 ms)	50 G				
Vibration (20÷2000 Hz)	20 g				
Operating temperature	-20 ÷ +80°C				
Stocking temperature	-40 ÷ +80°C				

Mechanics WDS P96-M



Mechanics WDS P115-M



Accurate and stout, wire transducers are the ideal solution for industrial applications requiring long strokes and accurate measures: typical applications are: X-Y tables, hydraulic and pneumatic cylinders, packing machines, wood-, glass-, marble-, sheet-working machineries.

The transducer consists of an encoder operated by means of a wire-reel mechanism; the wire is out of stainless steel covered with nylon. The inside spring keeps the wire tightened, ensuring accurate measures. The encoder output signal is proportional to the linear displacement of the wire.

Wire transducers WPS and WDS enclose the draw-wire mechanics and Elap multiturn absolute high-resolution encoder with communication protocol – EtherNet/IP, EtherCAT, PROFINET, Profibus, CANopen or SSI.

ORDERING INFORMATION

Select:

Example

Type
WDS/WPS

WDS

Stroke
2300÷15000

3000

Bus
EIP/ECT/PNT/
PDP/CAN/SSI

PDP

Turns
Multiturn

M

Connections
3 connectors M12
2/3 cable glands
Axial/radial cable
Axial/radial connector

3P

COUPLED ENCODERS

MEM520-BUS EtheNet/IP
MEM520-BUS EtherCAT
MEM520-BUS PROFINET

Multiturn,
Max resolution: 29 bit
(13+16 bit), shaft Ø 6 mm,
3 connectors M12
UL Listed



MEM520-BUS Profibus DP
MEM520-BUS CANopen

Multiturn,
Max resolution: 29 bit
(13+16 bit), shaft Ø 6 mm,
2/3 cable glands



MEM520 SSI

Multiturn,
Max resolution: 29 bit
(13+16 bit), shaft Ø 6 mm,
cable or connector outlet



SALES NETWORK



ELAP sales network includes several distributors worldwide. Visit our site to find a distributor in your Country.

WWW.ELAP.IT



Visit our site www.elap.it to stay updated about our products and events.



ELAP srl
Via Vittorio Veneto, 4 - 20094 Corsico (Mi)
tel. +39 02 451.95.61 - fax +39 02 45.10.34.06
info@elap.it - www.elap.it

SCHWEIZ
Rolf Muri AG
Einsiedlerstrasse 533
CH-8810 Horgen

Telefon: 044/727 99 00
E-Mail : office@rolfmuri.ch



ABSOLUTE WIRE ENCODERS



EtherNet/IP EtherCAT[®] Technology Group



PROFI[®] NET

PROFI[®] BUS

CANopen[®]

SSI[®] SYNCHRONOUS SERIAL INTERFACE